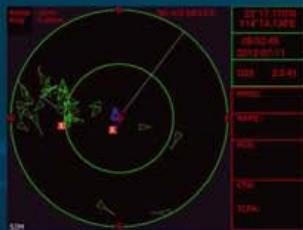
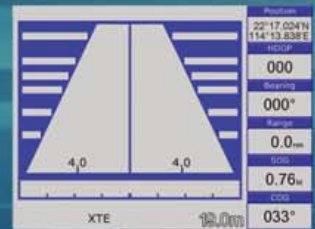
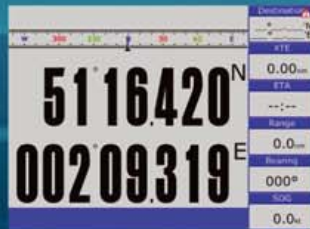


ONWA[®]

Marine Electronics

7-inch GPS Chart Plotter with Internal GPS Antenna

Model: **KP-708**



- Easy to Operate
- 7-inch high resolution (800x600 pixels) LCD
- Built-in GPS Antenna, External Antenna can be used as an option
- Supports Dual Mapping System: K-Chart and C-Map

PLOTTER CHARACTERISTICS

Waypoints/icons	12000 user waypoints with name, symbol 3 system waypoints: MOB, Start , Cursor 10 proximity waypoints
Routes	Max 30 routes. And up to 170 points for each one
Tracks	8000 points automatic track log; 10 saved tracks (up to 8000 track points each) Let you retrace your path in both directions
Alarms	XTE, Anchor drag, arrival, speed, voltage, proximity waypoint and time,AIS alarm.
Palette	Normal Daylight exposed to sunlight Night in dark environment NOAA paperchart colors
Tides	Tide data
Projection	Mercator projection
Position format	Degree of minutes and UTM
Basemap	Built-in ONWA K-Chart
External Map	SD Cards slot for C-Map MAX and ONWA K-Chart
User data storage	Internal backup of user settings or external SD-card
Plot Interval	5s to 60min 0.01nm to 10nm Automatic way
Plotting scales	0.001nm to 1000nm
Nav Data	Inputs: \$--GGA, \$--GLL, \$--GSA, \$--GSV, \$--RMC, \$--VTG, \$--ZDA, \$--VWR, \$--VWT, \$--MWD, \$--VPW Outputs: GGA , GLL , RMC , AAM , APA , APB , BOD , BWC , BWR , DBT DPT , HDT , MTW , RMB , TLL , VTG , WPL , XTE , ZDA , ZTG , ZDL , MWD , VPW , VWR , VWT , Outputs for autopilot: \$--APB, \$--BOD, \$--XTE, \$--APA
Perspective View	On/off
Celestial	Sunrise/Sunset Moonrise/Moonset

POWER SUPPLY 10.5 to 35VDC, current drain<1.0A at 12V

PHYSICAL

Size:	243mm(H)X155mm(W)X82mm(D)
Weight:	0.6kg
Display:	7-inches Color TFT day-view LCD 800x600 pixels
Input & Output Port:	one opto-isolated input Port one RS232 Output Port
Waterproofing:	Display unit: IPX5
Temperature range:	Display unit: -15°C to +55°C
Antenna unit:	-25°C to +70°C

GPS RECEIVER CHARACTERISTICS

Receiver:	50 parallel channel GPS receiver continuously tracks and uses up to 50 satellites to compute and update your position
Acquisition time:	Cold start: 60 seconds average
Hot start:	45 second average
Update rate:	1/second, continuous
Position:	2.5 meters(95%) without S/A
Velocity:	0.1 meter/sec without S/A
Time:	100ns synchronized to GPS time
Dynamics: Altitude:	50,000m Max
Velocity:	500 m/s
Acceleration:	4g Max
Datum:	WGS 84 and user define

EQUIPMENT LIST

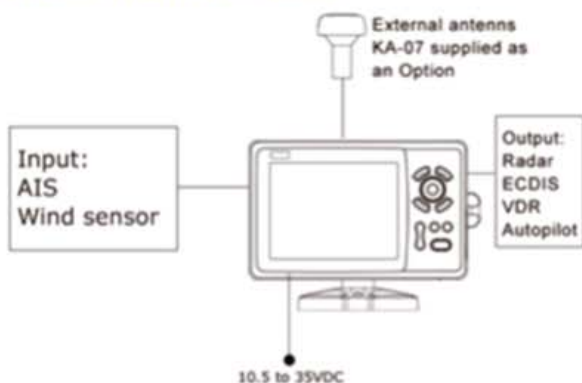
STANDARD

1. Display unit
2. Operator manual
3. Installation materials and standard spare parts

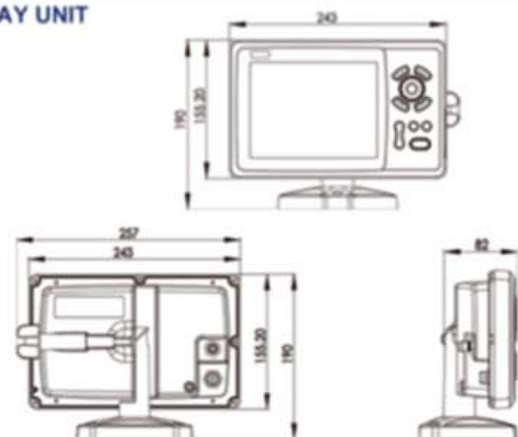
AIS

Data input:
Baud rate:
NMEA 0183, RS 232
38 , 400

INTERCONNECTION DIAGRAM



DISPLAY UNIT



Agenzia
ufficiale per
l'Italia :

Apelmar

Telefono 010 870058 r.a.
Telefax 010 870248
apelmar@koden.it
www.koden.it