

MF/HF RADIO

NHR-1500

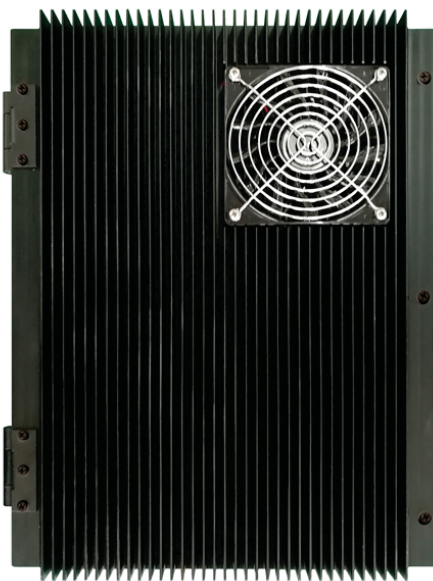
- SDR (Software Defined Radio) technology
- Voice digitalized
- Large 7 inch color display
- Knob & touch screen operation
- Android system on NBDP terminal
- LAN network interface
- Data interface to BAM/INS
- Marine communication handset
- Type approval with DNV (MED) and CCS



ALARM UNIT



NBDP TERMINAL



TRANSCEIVER



ANTENNA COUPLER



CONTROL UNIT

- NHR-1500 MF/HF RADIO (GMDSS) is a high-performance MF/HF device, capable of voice communication and DSC (digital selective calling) facilities as well.
- Conforming to Class A standard set for MF/HF DSC by ITU and IMO regulation, NHR-1500 can be part of onboard GMDSS package for vessels of A2/A3/A4.
- NHR-1500 conforms to the regulations of ITU-R M.476-5, ITU-R M.492-6, ITU-R M.493-15, ITU-R M.541-10, IMO MSC.302 (87), IEC 61097-9, IEC 61097-3, IEC 60945, IEC 62923-1, IEC 62923-2 etc.



SPECIFICATIONS

- TX Frequency: 1605.0 ~ 27500.00 kHz
- RX Frequency: 300.0 ~ 29999.99 kHz
- Working Channel: 400+ channels
- Communication Mode: Simplex/Semi-duplex
- Emission Class: J3E, H3E, A1A, F1B
- TX Power: 150 W pep
- RX Sensitivity: $\leq 2.5 \mu\text{V}$ (1605.0~27500.0 kHz, J3E)
 $\leq 0.7 \mu\text{V}$ (1605.0~27500.0 kHz, F1B)
- DSC Frequencies: 2187.5, 4207.5, 6312.0, 8414.5, 12577.0, 16804.5 (kHz)
- Control Display: 7 inch color display, touch screen
- Interface: LAN, BAM/INS/GNSS (RS422)
- Antenna Impedance: 50 Ω
- Power Supply: DC 24 V (range 18 V ~ 29 V)
- Operating Temperature: -15° ~ 55°C (indoor parts)
-25° ~ 55°C (outdoor parts)
- IP Grade: IP22: Control Unit, Transceiver, Handset
IP66: Antenna Coupler

EQUIPMENT LIST

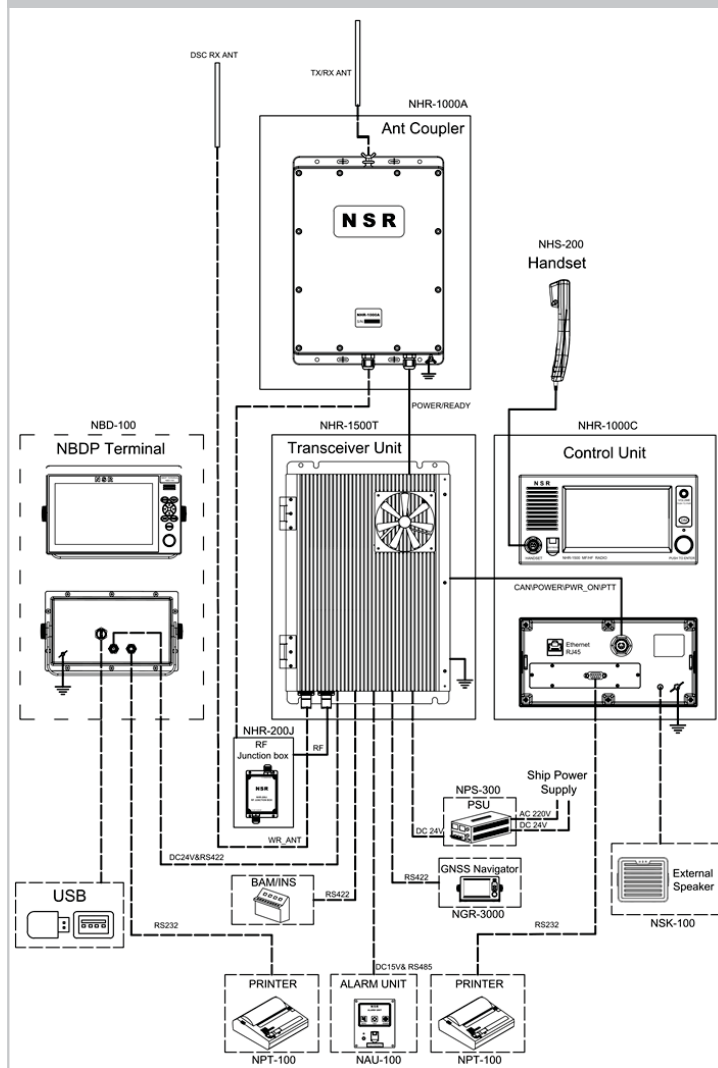
● STANDARD

- Transceiver	NHR-1500T	1 pc
- Control Unit	NHR-1000C	1 pc
- Antenna Coupler	NHR-1000A	1 pc
- Handset	NHS-200	1 pc
- RF Junction Box	NHR-200J	1 pc
- Cable & Accessories		1 set

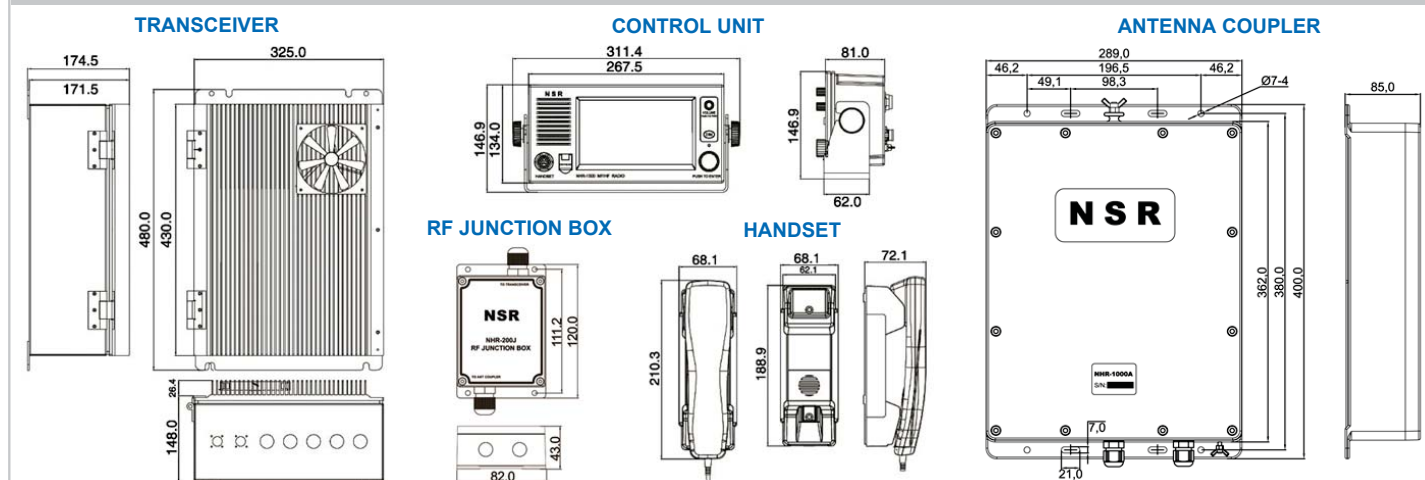
● OPTIONS

- Printer	NPT-100	1 pc
- NBDP Terminal	NBD-100	1 pc
- Alarm Unit	NAU-100	1 pc
- External Speaker	NSK-100	1 pc
- TX/RX Antenna	NHA100	1 pc
- DSC RX Antenna	NXA100, NXA100A	1 set
- AC/DC PSU	NPS-300	1 pc

SYSTEM DIAGRAM



SIZE DIMENSION



※ Specifications subject to change without notice

Agenzia
ufficiale per
l'Italia :



Telefono 010 870058 r.a.
Telefax 010 870248
apelmar@koden.it
www.koden.it

NHR1500 rev11 **B.E**
NEW SUNRISE CO., LTD.